



### Lighting system

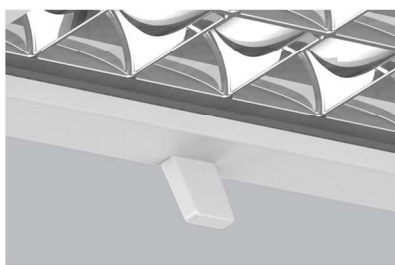
Optic: High gloss reflector  
Mid power SMD LEDs  
Lifetime: 50 000 h (L-70)  
Beam angle: 70°

### Applications

Indoor places,  
Offices, schools,  
Shopping malls

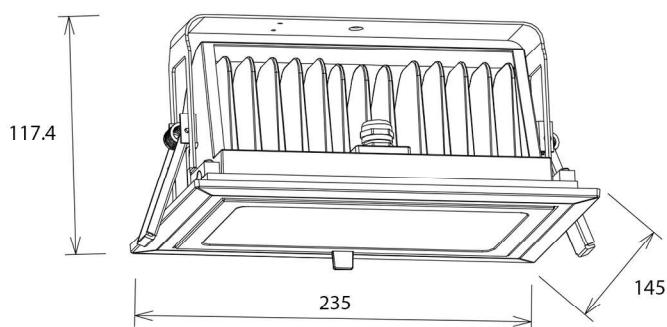
### Features

Passive cooling  
Meets CE safety standards  
Protection rating: IP20

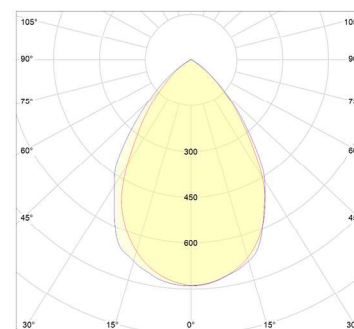


5 year warranty

Ordering Code	Product Name	Light Output [lm]	CRI	System Power [W]	Color Temp. [K]	Power Supply [V]	Weight [Kg]
301 254	LT-UP PEER 840	3 900	>80	42	4 000	230 AC	1.77



sizes



cd/klm: c0-180 c90-270