



Lighting system

Opal diffuser
SMD LED Chips
Lifetime: 50 000 h (L-70)
Beam angle: 120°

Applications

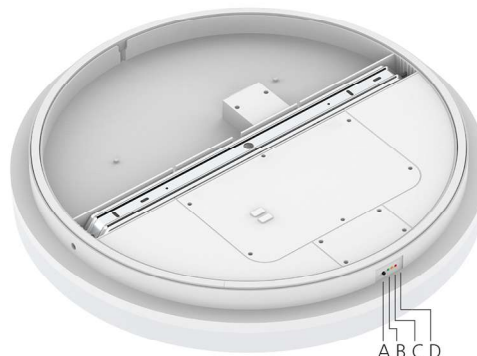
Indoor places,
shopping centers
malls, hotels

Features

Injection-molded body
Meets CE safety standards
Protection rating: IP54, IK10
Passive cooling
Emergency mode: 3H

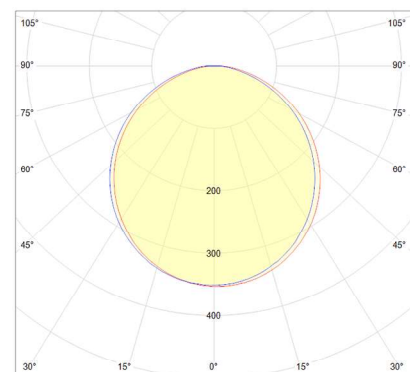
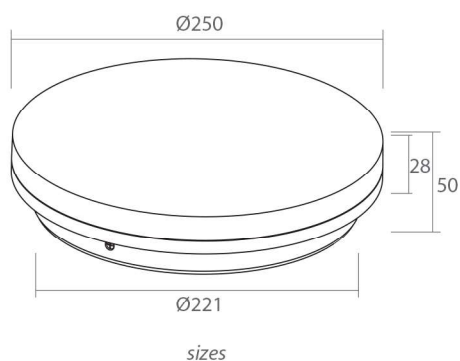


Indicators	Mode
Green indicator	Charge end
Yellow indicator	Battery charging
Red indicator	In emergency status, 3W
Green + Yellow indicators flash	Battery fault
Green + Yellow indicators off	Battery over temperature



5 years guarantee

Ordering Code	Product Name	Light Output [lm]	CRI	System Power [W]	Color Temp. [K]	Power Supply [V]	Weight [Kg]
301 258	LT-UP DRUM-300 EM 840	2 600	>80	25	4 000	230 AC	1.1



cd/klm: c0-180 c90-270