



Features

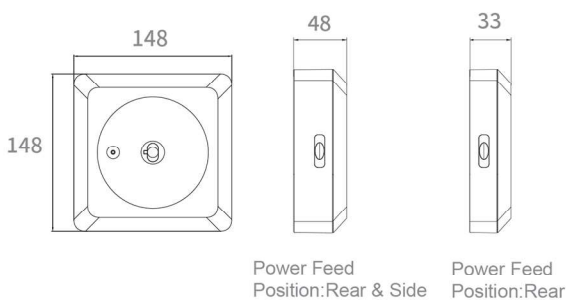
- Slim and modern design
- Round lens and oval lens option
- Intelligent control available
- High power & efficiency LED
- LiFePO4 battery, long life time
- Protection rating: IP20



Applications

- Indoor places, offices, malls, hotels

Ordering Code	Product Name	Light Output [lm]	Discharge Duration	Test Mode	System Power [W]	CRI	Color Temp. [K]	Battery
301 206	LT-EP-MAAD4-3W-3H	240	3h	AT	3	>70	5 000	6.4V 1500mAh



sizes

