

Lighting system

Optic: Opal diffusor
Mid power SMD LEDs
Lifetime: 50 000 h (L-70)
Beam angle: 120°

Applications

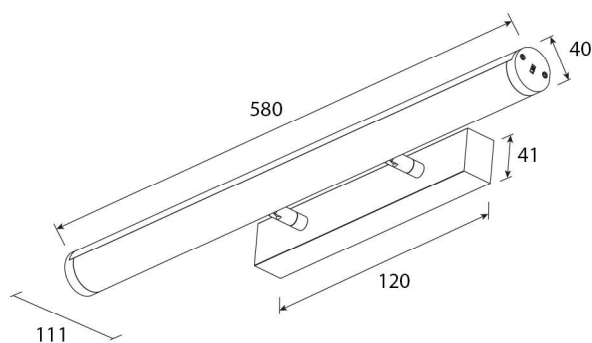
Inside places,
Shopping malls,
Offices

Features

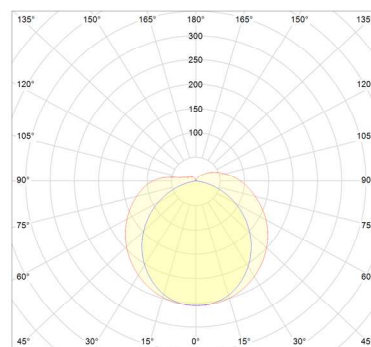
Passive cooling
Loopable design
Meets CE safety standards
Protection rating: IP40

5 year warranty

Ordering Code	Product Name	Light Output [lm]	CRI	System Power [W]	Color Temp. [K]	Power Supply [V]	Weight [Kg]
301271	LT-UP MIRA01 840	1 100	>80	10	4 000	230 AC	0.66



sizes



cd/klm: c0-180 c90-270