



### Lighting system

Optic: Opal diffusor  
Mid power SMD LEDs  
Lifetime: 50 000 h (L-70)  
Beam angle: 150°



### Applications

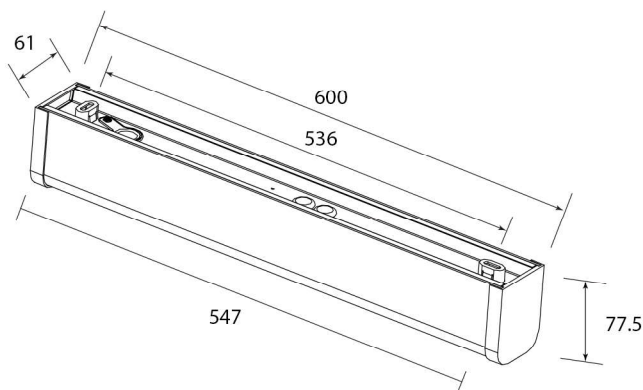
Inside places,  
Shopping malls,  
Offices

### Features

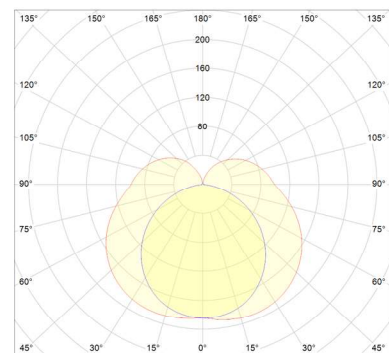
Passive cooling  
Loopable design  
Meets CE safety standards  
Protection rating: IP44, IK08

5 year warranty

Ordering Code	Product Name	Light Output [lm]	CRI	System Power [W]	Color Temp. [K]	Power Supply [V]	Weight [Kg]
301270	LT-UP MALO13 600 840	1 250	>80	10	4 000	230 AC	0.62



sizes



cd/klm: c0-180 c90-270