



Lighting system

Optic: Opal diffusor
Mid power SMD LEDs
Lifetime: 50 000 h (L-70)

Applications

Indoor places, Industrial, sport halls

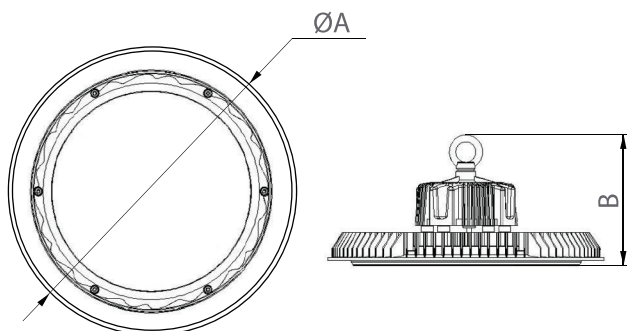
Features

Passive cooling
Meets CE safety standards
Die-cat alu body
Protection rating: IP65

Options

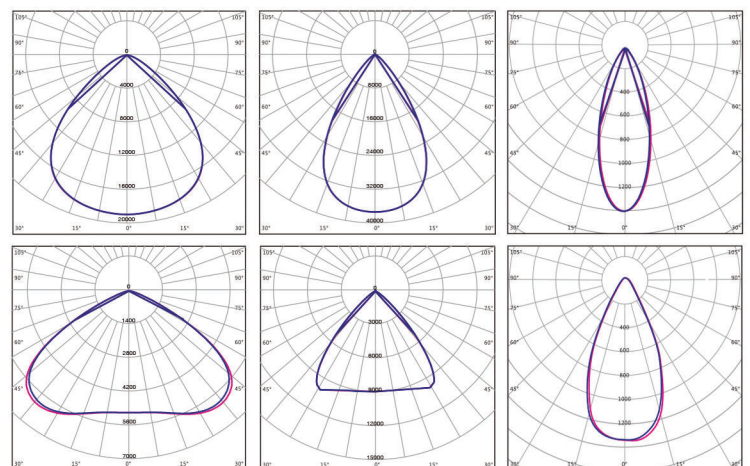
Dimm: DALI, 1-10V, Zigbee
Daylight sensor, CRI >70
Color temp.: 5000K

Ordering Code	Product Name	Light Output [lm]	CRI	System Power [W]	Color Temp. [K]	Power Supply [V]	Weight [Kg]
301 083	LT-SOL BRYOTE-100-830	15 200	>80	100	3 000	230 AC	3,9
301 082	LT-SOL BRYOTE-100-840	16 000	>80	100	4 000	230 AC	3,9
301 084	LT-SOL BRYOTE-120-830	17 700	>80	120	3 000	230 AC	4,2
301 085	LT-SOL BRYOTE-120-840	19 200	>80	120	4 000	230 AC	4,2
301 086	LT-SOL BRYOTE-150-830	22 800	>80	150	3 000	230 AC	4,2
301 087	LT-SOL BRYOTE-150-840	24 000	>80	150	4 000	230 AC	4,2
301 088	LT-SOL BRYOTE-200-830	25 200	>80	200	3 000	230 AC	4,8
301 089	LT-SOL BRYOTE-200-840	26 600	>80	200	4 000	230 AC	4,8



Ordering Code	ØAxB
301 082, 301 083	Ø350x159
301 084, 301 085	Ø350x159
301 086, 301 087	Ø350x159
301 088, 301 089	Ø350x170

sizes



photometric diagrams